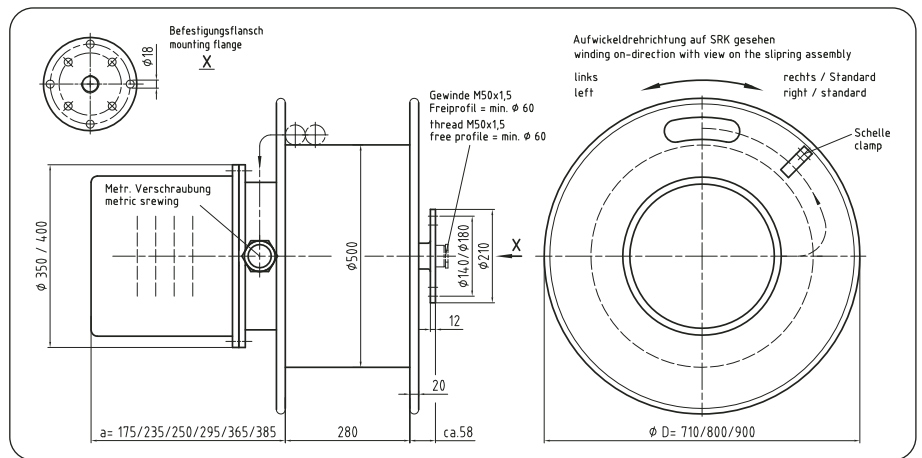


ABU Federleitungstrommel 500



- Bordscheiben, Befestigungsflansch und Trommelkörperkern verzinkt und zusätzlich polyesterpulverbeschichtet
- Schleifringkörpergehäuse aus Kunststoff
- Aufwickelgeschwindigkeit: max. 63 m/min horizontal, max. 40 m/min vertikal
- Beschleunigung: max. 0,3 m/s²
- Leitungsdurchmesser: max. 40 mm
- Aufzuwickelnde Leitungslänge: max. 110 m horizontal, max. 30 m vertikal
- Leitungsgewicht: max. 2,5 kg/m

Trommeltypen für Baureihe 500

Kenn Nr.	Trommel Typ	d Ø	D Ø	b	Za	Fa	Fe	Z	n.vor	N.Res.	n.Umdr.	Gewicht (kg)
1	50712810G	500	710	280	6,0	5,0	17,0	20,0	2,5	1,5	21,0	80,0
2	50802810G	500	800	280	6,0	5,0	17,0	20,0	2,5	1,5	21,0	82,0
3	50712810H	500	710	280	14,0	11,0	31,0	38,0	2,5	1,0	16,5	84,0
4	50802810H	500	800	280	14,0	11,0	31,0	38,0	2,5	1,0	16,5	86,0
5	50902810I	500	900	280	10,0	8,5	29,0	35,0	2,5	1,5	20,0	90,0
6	50802812G	500	800	280	12,0	10,0	34,0	40,0	2,5	1,5	21,0	86,0
7	50802812H	500	800	280	28,0	22,0	62,0	76,0	2,5	1,0	16,5	92,0
8	50802813G	500	800	280	18,0	15,0	51,0	60,0	2,5	1,5	21,0	90,0
9	50802813H	500	800	280	42,0	33,0	93,0	114,0	2,5	1,0	16,5	112,0
10	50802820G	500	800	280	6,0	5,0	17,0	20,0	5,0	3,0	42,0	86,0
11	50902820G	500	900	280	6,0	5,0	17,0	20,0	5,0	3,0	42,0	92,0
12	50802820H	500	800	280	14,0	11,0	31,0	38,0	5,0	2,0	33,0	92,0
13	50802820I	500	800	280	10,0	8,5	29,0	35,0	5,0	3,0	40,0	97,0
14	50902820I	500	900	280	10,0	8,5	29,0	35,0	5,0	3,0	40,0	104,0
15	50802830G	500	800	280	6,0	5,0	17,0	20,0	7,5	4,5	63,0	90,0
16	50802830H	500	800	280	14,0	11,0	31,0	38,0	7,5	3,0	49,5	112,0
17	50902830H	500	900	280	14,0	11,0	31,0	38,0	7,5	3,0	49,5	117,0
18	50902830I	500	900	280	10,0	8,5	29,0	35,0	7,5	4,5	60,0	120,0
19	50903430I	500	900	340	10,0	8,5	29,0	35,0	7,5	4,5	60,0	127,0
20	50803440G	500	800	340	6,0	5,0	17,0	20,0	10,0	6,0	84,0	117,0
21	50903440I	500	900	340	10,0	8,5	29,0	35,0	10,0	6,0	80,0	150,0

