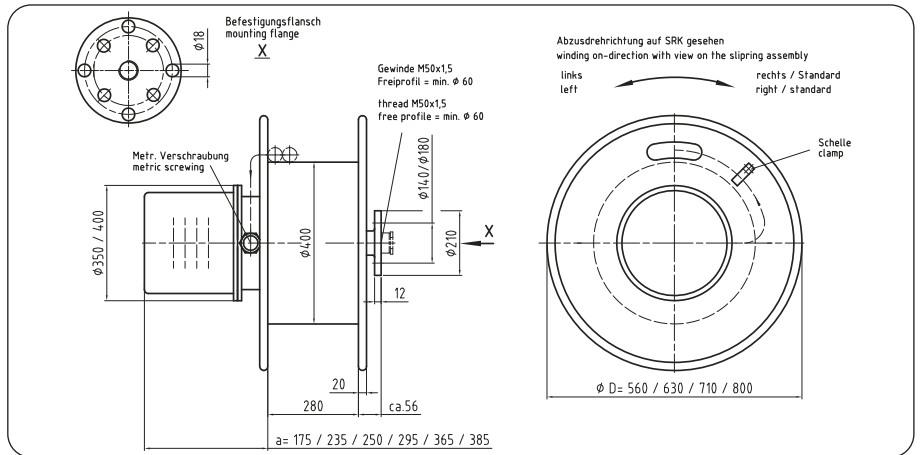


# ABU Federleitungstrommel 400



- Bordscheiben, Befestigungsflansch und Trommelkörperkern verzinkt und zusätzlich polyesterpulverbeschichtet
- Schleifringkörpergehäuse aus Kunststoff
- Aufwickelgeschwindigkeit: max. 63 m/min horizontal, max. 40 m/min vertikal
- Beschleunigung: max. 0,3 m/s<sup>2</sup>
- Leitungsdurchmesser: max. 40 mm
- Aufzuwickelnde Leitungslänge: max. 70 m horizontal, max. 30 m vertikal
- Leitungsgewicht: max. 1,6 kg/m

## Trommeltypen für Baureihe 400

Kenn Nr.	Trommel Typ	d Ø	D Ø	b	Za	Fa	Fe	Z	n.vor	N.Res.	n.Umdr.	Gewicht (kg)
1	40562810G	400	560	280	7,0	6,0	20,0	24,0	2,5	1,5	21,0	56,0
2	40562810F	400	560	280	6,0	5,0	13,0	15,0	3,5	1,5	25,0	54,0
3	40632810G	400	630	280	7,0	6,0	20,0	24,0	2,5	1,5	21,0	58,0
4	40712810G	400	710	280	7,0	6,0	20,0	24,0	2,5	1,5	21,0	60,0
5	40632810H	400	630	280	16,0	13,0	39,0	46,0	2,5	1,0	16,5	61,0
6	40562812G	400	560	280	14,0	12,0	40,0	48,0	2,5	1,5	21,0	70,0
7	40632812G	400	630	280	14,0	12,0	40,0	48,0	2,5	1,5	21,0	72,0
8	40632813G	400	630	280	21,0	18,0	60,0	72,0	2,5	1,5	21,0	85,0
9	40712813G	400	710	280	21,0	18,0	60,0	72,0	2,5	1,5	21,0	86,0
10	40562820G	400	560	280	7,0	6,0	20,0	24,0	5,0	3,0	42,0	70,0
11	40632820F	400	630	280	6,0	5,0	13,0	15,0	7,0	3,0	50,0	67,0
12	40712820G	400	710	280	7,0	6,0	20,0	24,0	5,0	3,0	42,0	74,0
13	40802820G	400	800	280	7,0	6,0	20,0	24,0	5,0	3,0	42,0	77,0
14	40562820H	400	560	280	16,0	13,0	39,0	46,0	5,0	2,0	33,0	76,0
15	40632830F	400	630	280	6,0	5,0	13,0	15,0	10,5	4,5	75,0	77,0
16	40712830F	400	710	280	6,0	5,0	13,0	15,0	10,5	4,5	75,0	80,0
17	40632830G	400	630	280	7,0	6,0	20,0	24,0	7,5	4,5	63,0	85,0
18	40712830G	400	710	280	7,0	6,0	20,0	24,0	7,5	4,5	63,0	86,0
19	40802830G	400	800	280	7,0	6,0	20,0	24,0	7,5	4,5	63,0	88,0
20	40632830H	400	630	280	16,0	13,0	39,0	46,0	7,0	3,5	49,5	94,0

